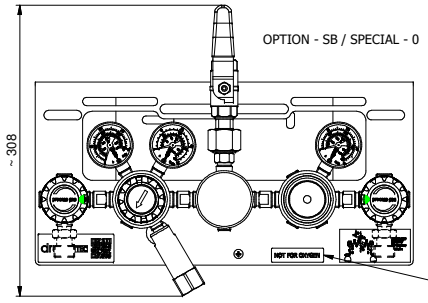
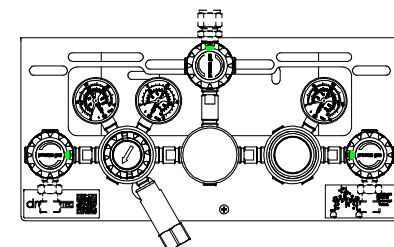
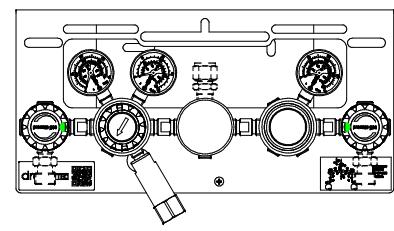


STANDARD VERSIONS OVERVIEW
OVERVIEW OF ADDITIONAL VERSIONS - SHEET NO. 2

OPTION - S0 / SPECIAL - 0

OPTION - SS / SPECIAL - 0



ORDERING INFORMATION

MTMHOS S SX X XX XX XX XX XXXX XXXX XXXX

| | |
|--|---|
| STAGES: S - SINGLE STAGE | PURGE CONNECTION: 0001 - WITHOUT (PLUGGED) |
| OPTIONS: SD - HP SHUT-OFF VALVE + LP WITHOUT SS - HP SHUT-OFF VALVE + LP SHUT-OFF VALVE SB - HP SHUT-OFF VALVE + LP BALL VALVE | PROCESS OUTLET CONNECTION: N38F - NPT3/8" FEMALE MORE VERSIONS ON LIST OF CONNECTIONS |
| SPECIALS: 0 - WITHOUT C - CHECK VLV F - SAFETY DEV. FLAM. G - CHECK VLV + SAFETY DEV. FLAM. H - CHECK VLV + SAFETY VLV + SAFETY DEV. FLAM. N - SAFETY DEV. OXY/AIR P - CHECK VLV + SAFETY DEV. OXY/AIR Q - CHECK VLV + SAFETY VALVE + SAFETY DEV. OXY/AIR S - SAFETY VLV U - CHECK VLV + SAFETY VLV Y - SAFETY DEV. FLAM. + SAFETY VLV Z - SAFETY DEV. OXY/AIR + SAFETY VLV | PROCESS INLET CONNECTION: N14F - NPT1/4" FEMALE N38F - NPT3/8" FEMALE E2MR - G3/8" MALE EN560 RIGHT W2ML - W21.8X1/14" MALE LEFT W2MR - W21.8X1/14" MALE RIGHT W3ML - W30X2 MALE LEFT W3MR - W30X2 MALE RIGHT |
| INLET PRESSURE: F4 - 60 BAR FX - 200 BAR GX - 300 BAR | OUTLET GAUGE TYPE: BT - BOURDON TUBE I2 - INDUCTIVE CONTACT I2 R2 - REED CONTACT R2 I1 - INDUCTIVE CONTACT I1 R5 - REED CONTACT R5 |
| OUTLET PRESSURE: D2 - 10 BAR E2 - 20 BAR E1 - 40 BAR - NOT FOR O2 WITH OPTION SB F2 - 100 BAR - NO OPTION SB | INLET GAUGE TYPE: BT - BOURDON TUBE I1 - INDUCTIVE CONTACT I1 R5 - REED CONTACT R5 |

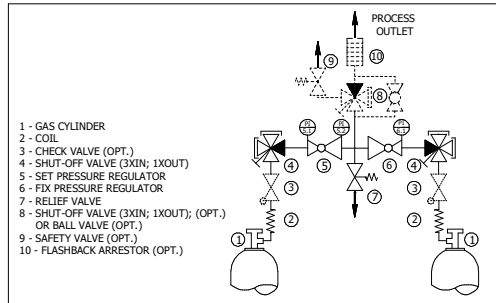
LIST OF PROCESS OUTLET CONNECTIONS

- N38F - NPT3/8" FEMALE
- G12F - G1/2" FEMALE
- E3MR - G1/2" MALE EN560 RIGHT
- E3ML - G1/2" MALE EN560 LEFT
- E5MR - G3/4" MALE EN560 RIGHT
- M12B - COMPRESSION FITTING 12MM BRASS
- M15B - COMPRESSION FITTING 15MM BRASS
- M18B - COMPRESSION FITTING 18MM BRASS
- M12S - COMPRESSION FITTING 12MM SS
- M15S - COMPRESSION FITTING 15MM SS
- M18S - COMPRESSION FITTING 18MM SS
- M25S - COMPRESSION FITTING 25MM SS
- I28B - COMPRESSION FITTING 1/2" BRASS
- I10B - COMPRESSION FITTING 5/8" BRASS
- I12B - COMPRESSION FITTING 3/4" BRASS
- I14B - COMPRESSION FITTING 7/8" BRASS
- I28S - COMPRESSION FITTING 1/2" SS
- I12S - COMPRESSION FITTING 3/4" SS
- I16S - COMPRESSION FITTING 1" SS
- DM21 - TUBE 21,3 MM

LIST OF PURGE CONNECTIONS

- N14F - NPT1/4" FEMALE
- M06B - COMPRESSION FITTING 6MM BRASS
- M08B - COMPRESSION FITTING 8MM BRASS
- M10B - COMPRESSION FITTING 10MM BRASS
- M12B - COMPRESSION FITTING 12MM BRASS
- M06S - COMPRESSION FITTING 6MM SS
- M08S - COMPRESSION FITTING 8MM SS
- M10S - COMPRESSION FITTING 10MM SS
- M12S - COMPRESSION FITTING 12MM SS
- I24B - COMPRESSION FITTING 1/4" BRASS
- I26B - COMPRESSION FITTING 3/8" BRASS
- I28B - COMPRESSION FITTING 1/2" BRASS
- I24S - COMPRESSION FITTING 1/4" SS
- I26S - COMPRESSION FITTING 3/8" SS
- I28S - COMPRESSION FITTING 1/2" SS

AVAILABILITY OF BRASS FITTINGS DEPENDING ON PRESSURE AND SIZE.
PAY ATTENTION TO THE MAXIMUM ALLOWED PRESSURE OF YOUR PIPEWORK



TECHNICAL SPECIFICATION

MATERIAL OF GAS WETTED PARTS:
REGULATOR BODY: BRASS (CW614N)
REGULATOR DIAPHRAGM: HASTELLOY (C276)
REGULATOR SEAL: PVDf
REGULATOR SEAT: PTFE
REGULATOR BALANCE SEAL: FKM
REGULATOR POPPET: BRASS (CW614N)

RELIEF VALVE SEAT: FKM
SAFETY VALVE SEAT: FKM
RELIEF VALVE OUTLET CONN. NPT1/2" F
SAFETY VALVE OUTLET CONN. NPT1/2" F

INLET PRESSURE: MAX 300 BAR
FLOW NOMINAL: 100 Nm³/h (N₂)
ACC. TO ISO 7291 AT 20 BAR OUT

GAS TYPE
DEFINED BY PRODUCT LINE AND TYPE
(CHECK APPROVED GAS TYPE IN DATASHEET)

TEC LINE:
NON-CORROSIVE GASES
NON-TOXIC GASES

| | | | | | |
|--------------------------------------|---|--|-----------------------------------|---|---------|
| 02 | 25.4.2022 | NEW SAFETY VALVE DESIGN / NOVÝ SV | | ECO-06971 | Chadim |
| Index | Date | Plugs / Description | C. change / Net of change | Author | |
| Podobnost Flow material | Číslo materiálu Dim. of raw material | Roční výroba Annual production | Technické údaje Technical data | Objem Volume | 9,65 kg |
| Materiál Material | Materiál Material | | Stav výřezu Cut drawing | Úroveň Level | 1/3 |
| Technická poznámka Technical note | Číslo úpravy Revision | Pracovní číslo stroje Critical dimension marked | KR | MANIFOLD TEC-LINE MID FLOW H0 MAN TEC 100Q H0 2SEMI SGL INSHUTOF | |
| Číslo úpravy Revision | 9.2.2021 | Pracovní číslo stroje Critical dimension marked | 150 2 768 mK | 9,65 kg | |
| Číslo úpravy Revision | Chadim | Pracovní číslo stroje Critical dimension marked | 150 2 768 mK | 9,65 kg | |
| Číslo úpravy Revision | Lubos Ondracek | Pracovní číslo stroje Critical dimension marked | 150 2 768 mK | 9,65 kg | |
| Číslo úpravy Revision | Dr. Th. Kuester | Pracovní číslo stroje Critical dimension marked | 150 2 768 mK | 9,65 kg | |
| Číslo úpravy Revision | B: Standard | Pracovní číslo stroje Critical dimension marked | 150 2 768 mK | 9,65 kg | |



EXAMPLE: MTMH0SSSS0GXEZBTBTN38FM12B0001



